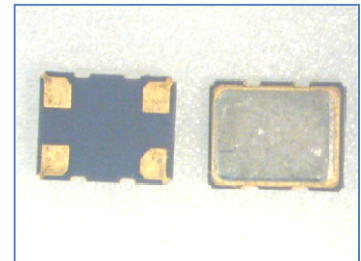


## 2520 VC-TCXO

## TC250 Series

### ◆特長・用途/Feature

- ・SMD Package
- ・Supply Voltage     +2.8V, +2.5V, +1.8V
- ・Output Level       Clipped Sine Wave
- ・Frequency range    13MHz ~ 52MHz

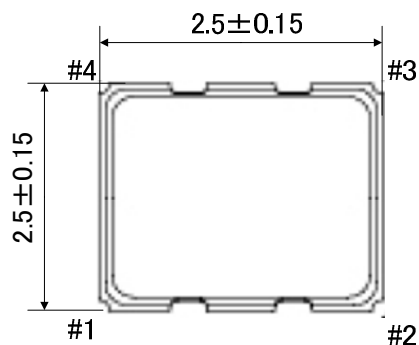


### ◆仕様/Specifications

RoHS Compliant

項目 / item	Min	Max	単位 / unit	Note
電源電圧 Power Supply voltage	+2.8, +2.5, +1.8		V	--
出力周波数 Frequency range	13	52	MHz	--
周波数可変範囲 (VC-TCXO) Pulling Range	±5	--	10 <sup>-6</sup>	--
周波数安定度 Freq. Overall tolerance	±0.5, ±1.0, ±1.5, ±2.0, ±2.5		10 <sup>-6</sup>	-20~+70°C
	±1.0, ±1.5, ±2.0, ±2.5		10 <sup>-6</sup>	-30~+85°C
	±1.5, ±2.0, ±2.5		10 <sup>-6</sup>	-40~+85°C

### ◆外形寸法/Dimensions unit : mm



PAD	FUNCTION
#1	Vc :VC-TCXO GND/NC : TCXO
#2	GND
#3	Output
#4	VDD